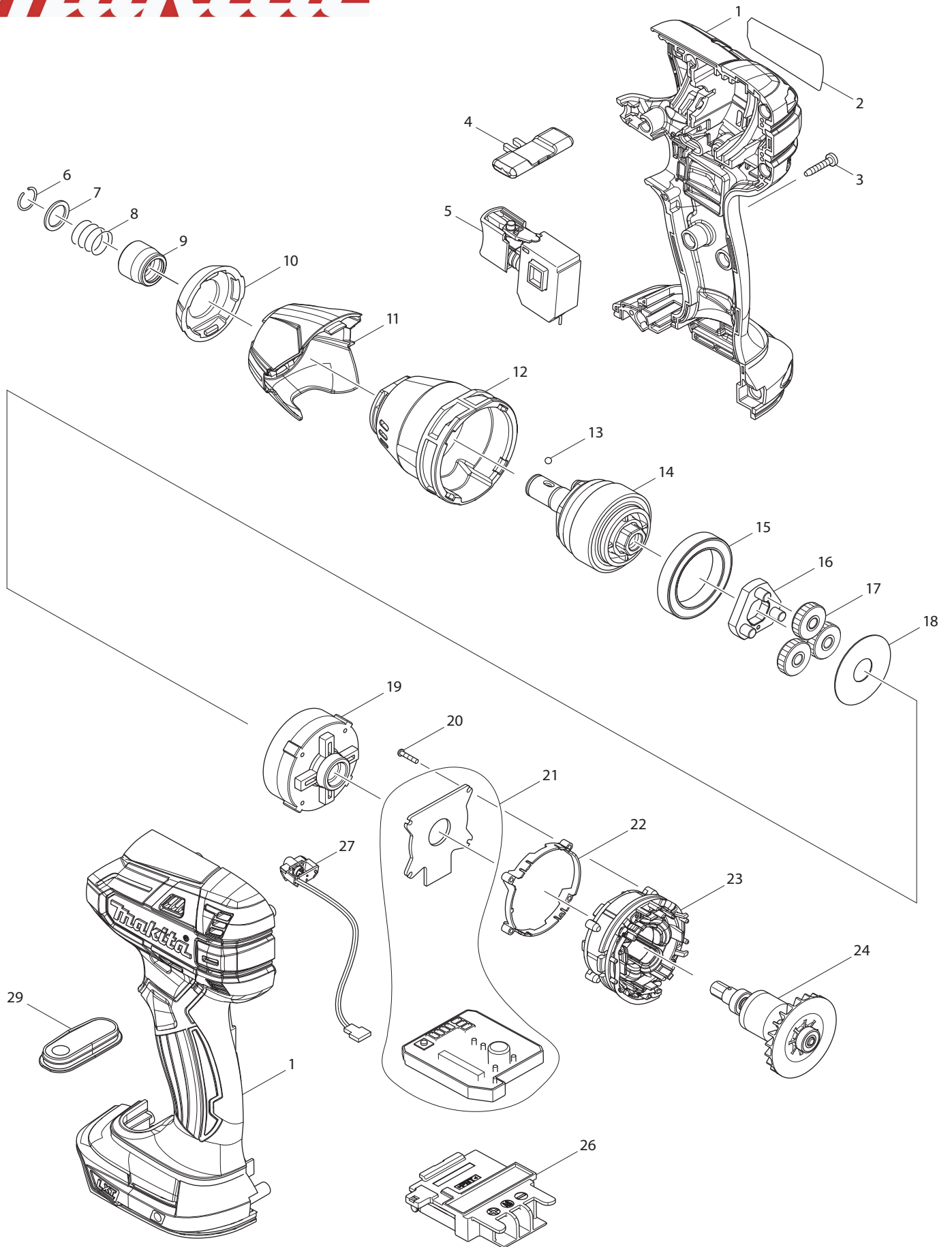




03 - 2017
DTS141Z
18V LXT Brushless Oil-Pulse Driver



PARTS LIST

Item No	Type	Part No	Description	Qty	Unit
001		187989-0	HOUSING SET	1	SET
001	INC.	263005-3	RUBBER PIN 6	2	PC.
001	INC.	252126-6	HEX LOCKING NUT M4-7	2	PC.
002		850H88-6	NAME PLATE F/DTS141	1	PC.
003		266130-9	TAPPING SCREW BIND PT M3X16	9	PC.
004		455053-8	F/R CHANGE LEVER	1	PC.
005		650673-5	SWITCH C3JW-1A	1	PC.
006		231965-7	RING SPRING 10	1	PC.
007		267143-3	FLAT WASHER 11	1	PC.
008		234347-2	COMPRESSION SPRING 11	1	PC.
009	1	326542-9	* BIT SLEEVE	1	PC.
009	2	327A83-4	* BIT SLEEVE	1	PC.
010		424662-4	BUMPER	1	PC.
011		455468-9	UNIT CASE COVER	1	PC.
012		142928-7	UNIT CASE COMPLETE	1	PC.
012	INC.	211136-2	BALL BEARING 6801LLB	1	PC.
012	INC.	213126-1	OIL SEAL 12	1	PC.
013		216019-1	STEEL BALL 3	2	PC.
014	2	141M43-2	* OIL UNIT COMPLETE	1	PC.
014	3	141W56-3	* OIL UNIT COMPLETE	1	PC.
015		211294-4	BALL BEARING 6806LLU	1	PC.
016		142929-5	CARRIER COMPLETE	1	PC.
017		227368-1	SPUR GEAR 22	3	PC.
018		267067-3	FLAT WASHER 12	1	PC.
019		227361-5	INTERNAL GEAR 51	1	PC.
020		266786-8	+ PAN HEAD TAPPING SCREW M2X10	4	PC.
021	2	620895-1	CONTROLLER	1	PC.
022		687464-1	SUPPORT	1	PC.
023		629137-0	STATOR	1	PC.
024		619358-2	ROTOR	1	PC.
026		643860-3	TERMINAL	1	PC.
027		620355-3	LED CIRCUIT	1	PC.
029		141583-2	SWITCH PLATE COMPLETE	1	PC.
100		266622-8	+ TRUSS HEAD SCREW M4X12	1	PC.
A02		346449-3	HOOK F/14.4V, 18V LI-ION BTRY	1	PC.
A03		-----	18V LI-ION BATTERY		
A04		-----	BATTERY CHARGER		
A05		-----	LI-ION BATTERY ACCESSORIES		

Item No	Type	Part No	Description	Qty	Unit
A06		-----	SOCKETS		
A07		-----	HOLLOW SOCKETS		
A08		-----	THREADED ROD SOCKETS		
A09		-----	SOCKET SETS		
A10		-----	IMPACT DRIVER ACCESSORIES		
A11		-----	DRYWALL DRIVER BITS		
A12		B-48826	LONG SCREW DRIVE GUIDE 26/KT	1	PC.
A12		B-48810	COMP SCREW DRIVE GUIDE 26/KT	1	PC.
A12	1	B-48795	3-1/8" COMP SCREWDRIVE GUIDE	1	PC.
A12	1	B-48804	4-3/4" LONG SCREWDRIVE GUIDE	1	PC.
A12	2	A-97075	IMPACTX FINDER/DRIVER 3"	1	PC.
A12	2	A-97081	IMPACTX FINDER/DRIVER 4-3/4"	1	PC.
A13		B-51873	12" FLEXIBLE BIT HOLDER	1	PC.
A14		197043-2	TOOL CATCHER SET	1	PC.
A15		-----	INTERLOCKING TOOL CASES & FOAM		
A16		-----	INTERLOCKING THERMAL COOLER CASES		
A17		TR00000002	TROLLEY FOR INTERLOCKING TOOL CASES	1	PC.
A18		-----	WORK GLOVES		
E01		804W41-4	CAUTION LABEL	1	PC.
E02		805D97-6	CAUTION LABEL	1	PC.

SERVICE CHANGES: DTS141

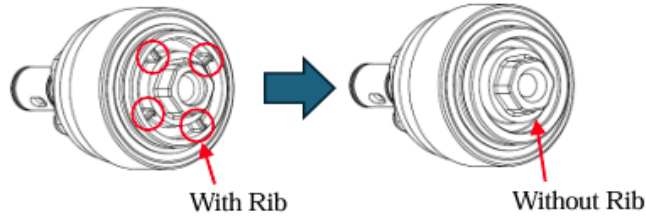
1. Changes on Oil Unit Complete and Bit Sleeve (T/I# DF526) (T/I#DR986)

Item No.	Description	Type 1	Type 2	Type 3
14	OIL UNIT COMPLETE	143273-3	141M43-2	141W56-3
9	BIT SLEEVE	326542-9		327A83-4

Above parts are completely interchangeable as a set.

Detailed information

Shape of Oil unit complete will be changed due to the change of production method of its component parts as follows:



Change of Grease and its amount

Makita grease GC No.1 (1.2 - 1.5g) → Makita grease GA No.2 (042033-9A, 1.6 - 1.9g)

